

Fork Heads

Steel, with External Thread

SPECIFICATION

Types

- Type **A**: Without pin
- Type **KL**: Pin with KL retaining clip
- Type **SL**: Pin with SL retaining clip

Fork head

Steel **ST**

Zinc plated, blue passivated

Pin for type **KL / SL**

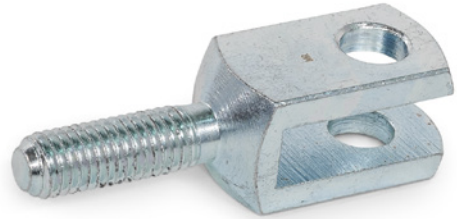
Steel

Zinc plated, blue passivated

Retaining clip for type **KL / SL**

Spring steel

- Hardened and tempered
- Zinc plated, blue passivated



INFORMATION

Fork heads GN 754 transmit tensile and shearing forces, such as from rods, levers or cable pulls. The length of the external thread enables a significantly larger adjusting range than fork heads with internal thread.

The versions with pins can be combined with brackets or joint pieces GN 752 (see page 1154) to create fork joints, which can be quickly and easily assembled and disassembled without tools, especially with type KL.

Fork heads GN 754 are dimensioned according to DIN 71752 (see page 1152).

ACCESSORY

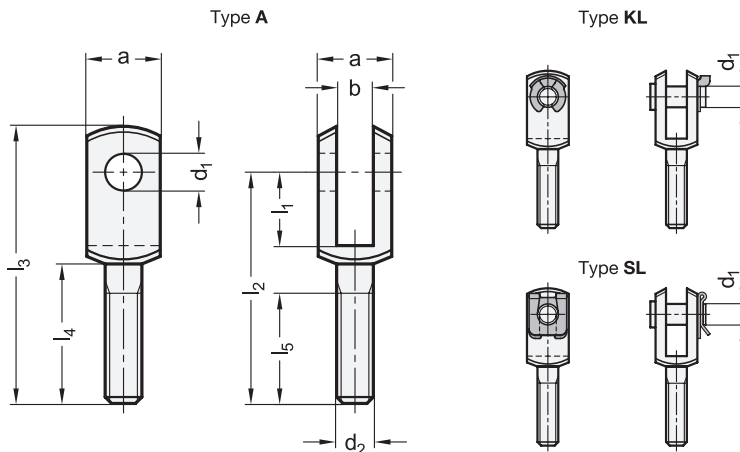
- GN 752 Joint Pieces (see page 1154)

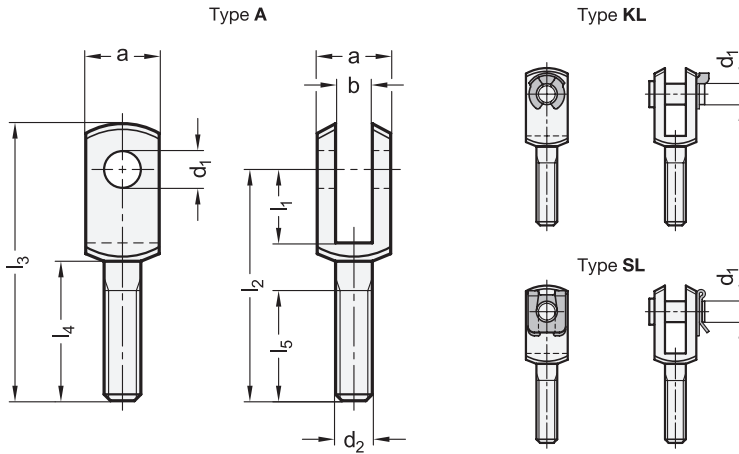
ON REQUEST

- Stainless steel

TECHNICAL INFORMATION

- ISO-Fundamental Tolerances (see page A21)





GN 754-A

Description	d ₁ H9/h11	l ₁	d ₂	a	b	l ₂	l ₃	l ₄	l ₅ min.	⚖
GN 754-6-12-M6-A-ST	6	12	M 6	12	6	37	44	20	15	15
GN 754-8-16-M8-A-ST	8	16	M 8	16	8	47	57	25	20	36
GN 754-10-20-M10-A-ST	10	20	M 10	20	10	57	69	30	25	68
GN 754-12-24-M12-A-ST	12	24	M 12	24	12	68	82	35	30	122
GN 754-14-28-M14-A-ST	14	28	M 14	27	14	78	94	40	35	171
GN 754-16-32-M16-A-ST	16	32	M 16	32	16	89	108	45	40	288

GN 754-KL

Description	d ₁ H9/h11	l ₁	d ₂	a	b	l ₂	l ₃	l ₄	l ₅ min.	⚖
GN 754-6-12-M6-KL-ST	6	12	M 6	12	6	37	44	20	15	15
GN 754-8-16-M8-KL-ST	8	16	M 8	16	8	47	57	25	20	36
GN 754-10-20-M10-KL-ST	10	20	M 10	20	10	57	69	30	25	68
GN 754-12-24-M12-KL-ST	12	24	M 12	24	12	68	82	35	30	122
GN 754-14-28-M14-KL-ST	14	28	M 14	27	14	78	94	40	35	171
GN 754-16-32-M16-KL-ST	16	32	M 16	32	16	89	108	45	40	288

GN 754-SL

Description	d ₁ H9/h11	l ₁	d ₂	a	b	l ₂	l ₃	l ₄	l ₅ min.	⚖
GN 754-6-12-M6-SL-ST	6	12	M 6	12	6	37	44	20	15	15
GN 754-8-16-M8-SL-ST	8	16	M 8	16	8	47	57	25	20	36
GN 754-10-20-M10-SL-ST	10	20	M 10	20	10	57	69	30	25	68
GN 754-12-24-M12-SL-ST	12	24	M 12	24	12	68	82	35	30	122
GN 754-14-28-M14-SL-ST	14	28	M 14	27	14	78	94	40	35	171
GN 754-16-32-M16-SL-ST	16	32	M 16	32	16	89	108	45	40	288

